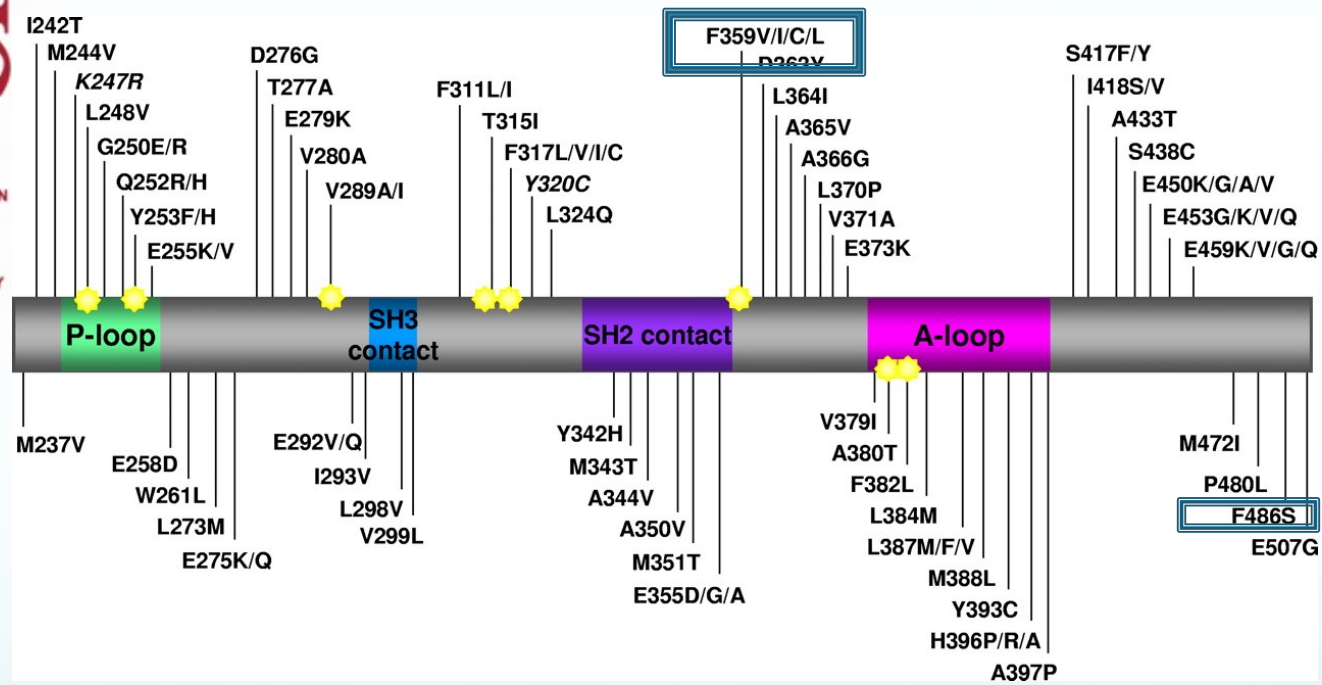


Map of all the amino acid substitutions in the Bcr-Abl KD identified in clinical samples from patients reported to be resistant to imatinib in published papers.



Soverini S et al. Blood 2011;118:1208-1215